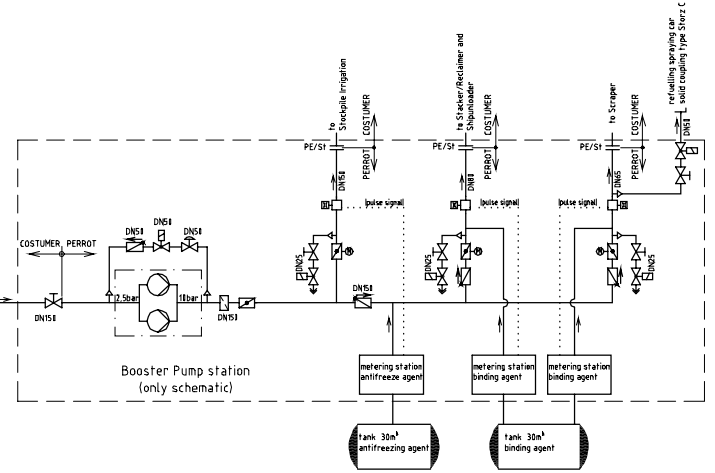
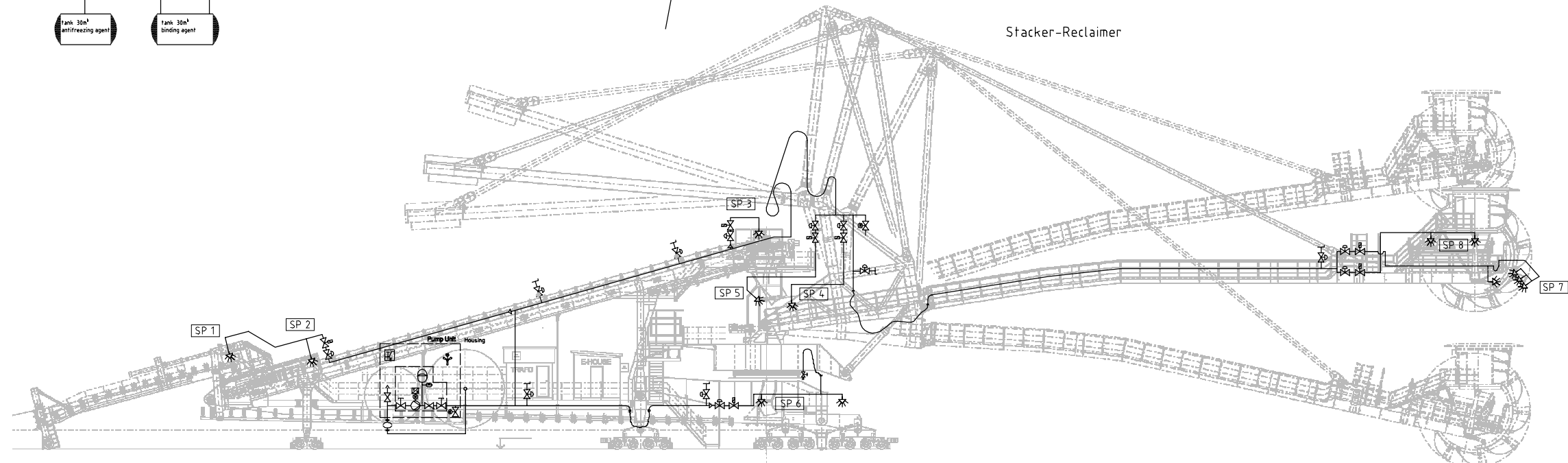


Stockyard-Irrigation-System
 Irrigated area: 73.000m²
 Precipitation density: 1,5mm/h
 Required water quantity: 110m³/h
 Required flow capacity: 192m³/h
Conclusion:
 The system is designed, to run 2 sprinklers at the same time.
 Sprinkler type P1 M, Ø30mm at 7bar casting range= 48m; Q=85m³/h
 Sprinkler type P1 M, Ø32mm at 7 bar casting range= 50m; Q=96m³/h



Stacker-Reclaimer



LEGEND

	frequency control (optional)		pressure switch
	booster pump		pressure-reducing valve
	flowmeter (optional)		motor drive
	ball valve		spray point
	non-return valve		flexible hose
	ventilation valve and air relief valve with gate valve		reducer
	diaphragm-manual-valve		sonar proximity switch
	solenoid valve		pressure gauge
	check valve		inclined - seated stopvalve
	full-way valve (manually-operated)		checkvalve and drainage (isolating valve)
	spray nozzle		membrane expansion vessel
	pressure indicator		drain
	flange connection		sprinkler type P1 M, Ø30mm casting range= 48m
	compensator		sprinkler type P1 M, Ø32mm casting range= 50m
	pumpstation		back-flushing filter
	gate valve		quick-coupling
	flexible hose with quick-coupling		magnetic-flowmeter
	oval-gate-valve with assembly kit and street cap		shut-off valve
	drainage		non-return-flap
	y-strainer		